

1950nm Polarization Maintaining Isolator (PMIS)

Features

- Wide Operating Wavelength
- High Isolation & High PER
- Telcordia GR-1221 Compliant
- Available for Both Axes Pass or Fast Axis Block

Application

- PM Fiber Amplifier
- Fiber Laser
- Surgical Equipment



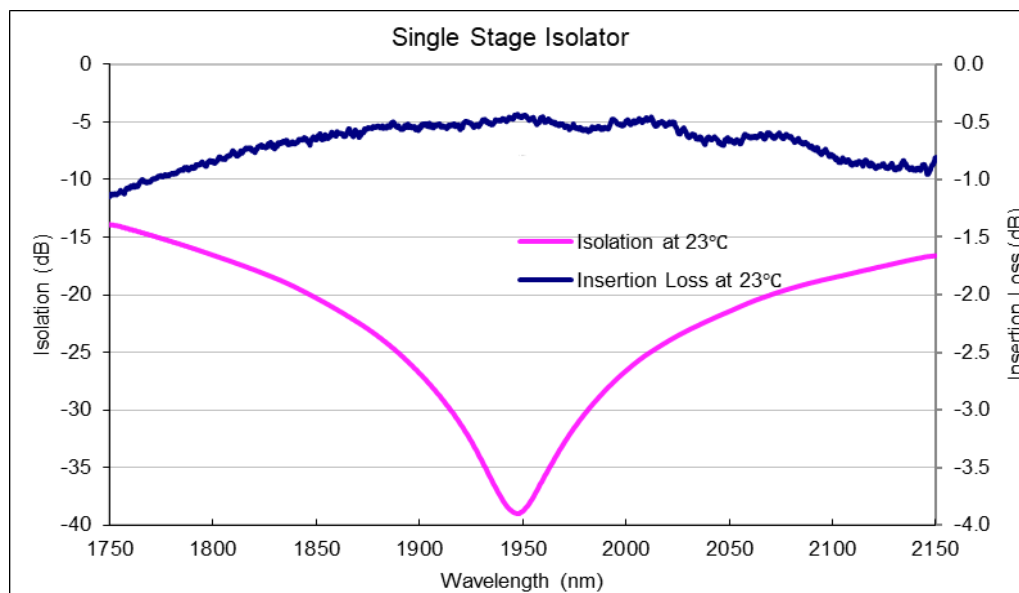
Specifications

| Parameters | Unit | Single Stage | Dual Stage |
|----------------------------------------------------------------------------------|-------------------|-------------------------|--------------|
| Center Wavelength | nm | 1950 | |
| Peak isolation | dB | 30 | 45 |
| Min Isolation ($\lambda_c \pm 15\text{nm}, 23^\circ\text{C}$ all sop) | dB | 20 | 35 |
| Typ. IL ($\lambda_c \pm 20\text{nm}, 23^\circ\text{C}$ all sop) | dB | 0.80 | 1.00 |
| Insertion Loss ($\lambda_c \pm 20\text{nm}, -5 \sim +70^\circ\text{C}$ all sop) | dB | ≤ 1.5 | ≤ 1.80 |
| PER | Both Axes Pass | dB ≥ 20 | |
| | Fast Axis Blocked | dB ≥ 23 | |
| Return Loss (Input / Output) (RL) | dB | $\geq 50/50$ | $\geq 50/50$ |
| Fiber Type | | PM1550, PM1950, PM2000, | |
| Max Power Handling CW | mW | 500 | |
| Operating Temperature | $^\circ\text{C}$ | $-0 \sim +75$ | |
| Storage Temperature | $^\circ\text{C}$ | $-40 \sim +85$ | |

Above data test at room temperature without connectors. With connectors, IL+0.3dB, RL-5dB, PER-2dB.

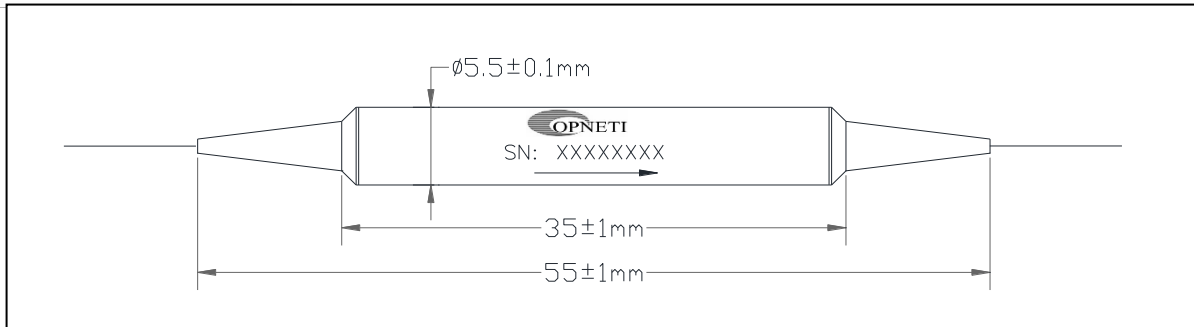
Default FC connector key width 2.02mm (narrow key), 2.12mm (wide key) available on request.

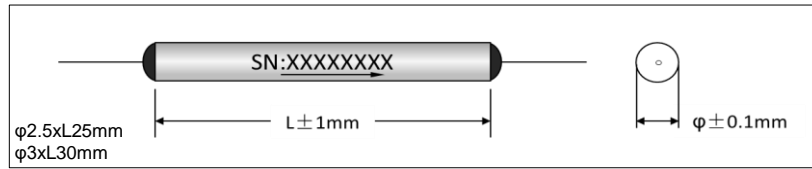
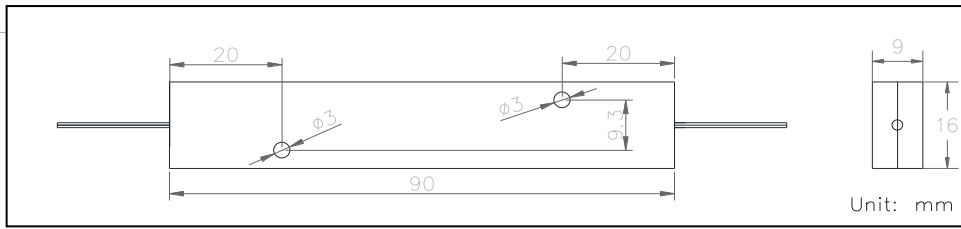
Typical Spectrum



Package Information

| | | | |
|-------------------|-------------------------------------------------------------------------------|---------------------------------------------|---------------------------------------------------------|
| Fiber Length | 1m, others on request | | |
| Pigtail Type | 250 μm Bare Fiber | 900 μm Loose Tube | 2mm/3mm Loose Cable |
| Dimensions(mm) | $\phi 2.5 \times 25, \phi 3 \times 25, \phi 3 \times 30, \phi 5.5 \times 35,$ | $\phi 5.5 \times 35, 90 \times 16 \times 9$ | $\phi 5.5 \times 35$ (no boot), $90 \times 16 \times 9$ |
| Approx Weight (g) | 35 | 50 | 65 |





Ordering Information

PMIS- ①-②②②②-③-④④④-⑤⑤⑤-⑥-⑦⑦

| | | |
|---|----------------|------------------------------------------------------------------------------------------------|
| ① | Type | S=Single Stage; D=Dual Stage; |
| ② | Wavelength | 1950; |
| ③ | Axis Alignment | F=Fast Axis Blocked; B=Both Axes Working; |
| ④ | Pigtail Type | 250=250 μ m Fiber; 900=900 μ m Loose Tube; 2000=2mm Loose Cable; 3000=3mm Loose Cable; |
| ⑤ | Fiber Type | P15=PM1550; P19=PM1950; P20=PM2000; |
| ⑥ | Fiber Length | 1=1m; XX=other; |
| ⑦ | Connector | NE=None; FA=FC/APC; FC=FC/UPC; SA=SC/APC; SC=SC/UPC; LC=LC/UPC; XX=Others; |